

Cleanguard Cleanroom Ceiling Panels

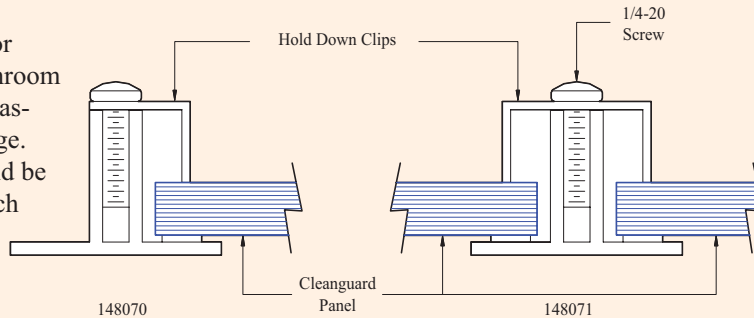
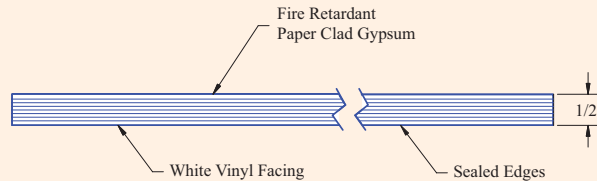
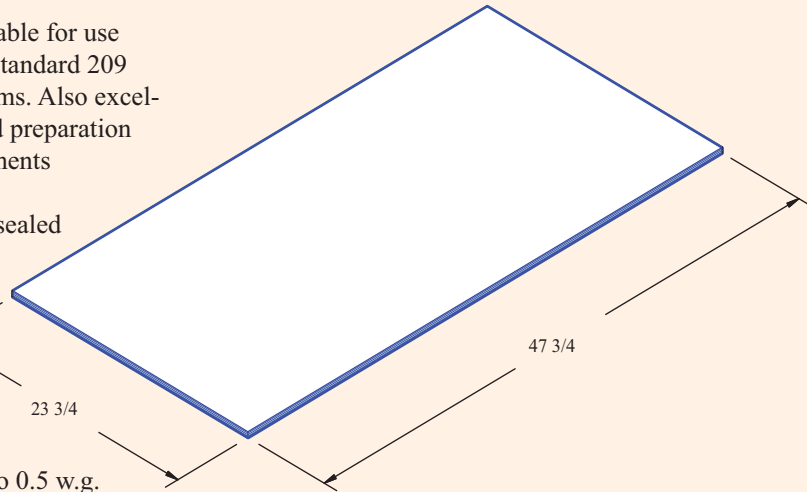
Cleanguard Ceiling Panels are suitable for use in ISO Classes 6 to 9 and Federal Standard 209 Classes 1,000 to 100,000 Cleanrooms. Also excellent for laboratories, hospitals, food preparation areas and other controlled environments

Cleanguard Panels feature factory sealed edges, white vinyl face and sealed top. The surface is durable and can be cleaned easily with a damp sponge.

Weight of the panel (15 lbs.) is sufficient to hold to panels in place against room static pressure of up to 0.5 w.g. without the use of supplementary hold down devices. Hold down clips are available for high pressure rooms.

Ceiling Attenuation Class (CAC) previously known as Ceiling Sound Transmission Class (CSTC) is 45-49 when tested with ASTM E1414. Light reflection is LR1, thermal resistance up to R-O .45.

Cleanguard Ceiling Panels are sized for installation in a standard exposed cleanroom grid system. Closed cell, low density gas-keting should be used to prevent leakage. If panels are to be cut, raw edges should be sealed with a recommended sealant such as Benjamin Moore Regal Latex Primer, #21600.



Ordering Information

Part No.	Description	Weight
148062	Cleanguard Ceiling Panel	15 lbs. (6.8 kg.)
148064	Holddown Clips, Single for 1/4" Panel	
148068	Holddown Clips, Double for 1/4" Panel	
148070	Holddown Clips, Single for 1/2" Panel	
148071	Holddown Clips, Double for 1/2" Panel	